



Specification grade area lights available in IES Type III distributions. For use for roadway, general parking and other area lighting applications where a larger pool of lighting is required. Best-in-class 5-G vibration rating. 5-year, limited warranty.

Color: Bronze

Weight: 20.9 lbs

|                     |              |
|---------------------|--------------|
| <b>Project:</b>     | <b>Type:</b> |
| <b>Prepared By:</b> | <b>Date:</b> |

| Driver Info |                  | LED Info       |               |
|-------------|------------------|----------------|---------------|
| Type        | Constant Current | Watts          | 110W          |
| 120V        | 0.93A            | Color Temp     | 5000K (Cool)  |
| 208V        | 0.54A            | Color Accuracy | 76 CRI        |
| 240V        | 0.47A            | L70 Lifespan   | 100,000 Hours |
| 277V        | 0.40A            | Lumens         | 14,819 lm     |
| Input Watts | 106.4W           | Efficacy       | 139.3 lm/W    |

### Technical Specifications

#### Compliance

**UL Listed:**

Suitable for wet locations

**IP Rating:**

Ingress protection rating of IP66 for dust and water

**IESNA LM-79 & LM-80 Testing:**

RAB LED luminaires and LED components have been tested by an independent laboratory in accordance with IESNA LM-79 and LM-80.

**DLC Listed:**

This product is on the Design Lights Consortium (DLC) Qualified Products List and is eligible for rebates from DLC Member Utilities. Designed to meet DLC 5.1 requirements.  
DLC Product Code: PGDVHC5M

#### Electrical

**Driver:**

Constant Current, Class 2, 120-277V, 50/60 Hz, 120V: 0.93A, 208V: 0.54A, 240V: 0.47A, 277V: 0.40A

**Dimming Driver:**

Driver includes dimming control wiring for 0-10V dimming systems. Requires separate 0-10V DC dimming circuit. Dims down to 10%.

**THD:**

5.18% at 120V, 13.17% at 277V

**Power Factor:**

99.6% at 120V, 93.6% at 277V

**Surge Protection:**

L-N 4kV; L-Earth 6kV

#### Performance

**Lifespan:**

100,000-Hour LED lifespan based on IES LM-80 results and TM-21 calculations

**Wattage Equivalency:**

Equivalent to 400W Pulse Start Metal Halide

#### Construction

**IES Classification:**

The Type III distribution is meant to be located near the side of an area, projecting the light outward to fill the area. Ideal for roadways, general parking areas, lighting applications and where a large pool of light is required.

**Effective Projected Area:**

EPA = 0.8

**Vibration Rating:**

Industry-leading 5G vibration rating per ANSI C136.31

**Cold Weather Starting:**

The minimum starting temperature is -40°C (-40°F)

**Ambient Temperature:**

Suitable for use in up to 40°C (104°F)

**Housing:**

Precision die-cast aluminum housing

**Mounting:**

Mounts to RAB square poles. Mounts to all square and round poles if optional Universal Pole Adaptor is used.

**Lens:**

Clear acrylic lens with integrated optics

**Gaskets:**

High-temperature silicone gaskets

**Finish:**

Formulated for high durability and long-lasting color

**Green Technology:**

Mercury and UV free. RoHS-compliant components.

#### LED Characteristics

**LEDs:**

Long-life, high-efficacy, surface-mount LEDs

## Technical Specifications (continued)

### Color Uniformity:

RAB's range of Correlated Color Temperature follows the guidelines of the American National Standard for Specifications for the Chromaticity of Solid State Lighting (SSL) Products, ANSI C78.377-2017.

### Other

#### 5 Yr Limited Warranty:

The RAB 5-year, limited warranty covers light output, driver performance and paint finish. RAB's warranty is subject to all terms and conditions found at [rablighting.com/warranty](http://rablighting.com/warranty).

#### FTC Country of Origin:

This product was assembled in the USA by RAB using imported components

#### Buy American Act Compliance:

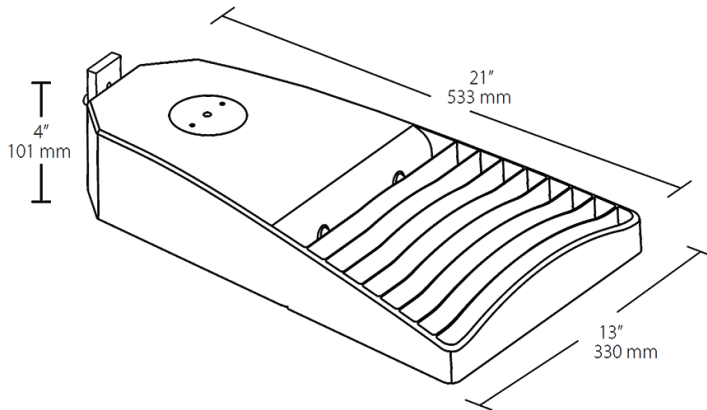
This product complies with the Buy American Act

### Optical

#### Full Cutoff:

Allows for conformance to the IDA's fully shielding requirement, emitting no light above 90 degrees.

## Dimensions



## Features

- Lightweight design and low EPA minimize pole load
- Best-in-class 5-G vibration rating
- 100,000-hour LED lifespan

Ordering Matrix

| Family | IES Type   | Wattage                              | Color Temp  | Finish                      | Driver Options  | Mounting  | Sensor Options  | Accessories                                | Other Options                           |
|--------|--|--------------------------------------|---|-----------------------------|---|---|---|--|---|
| LOT    | 3T   | 110                                  |   |                             | /D10  |   |   |  | USA                                     |
|        | 4T = Type IV<br>3T = Type III<br>2T = Type II<br>5T = Type V | 65 = 65W<br>110 = 110W<br>160 = 160W | Blank = 5000K Cool<br>N = 4000K Neutral<br>Y = 3000K Warm | Blank = Bronze<br>W = White | /D10 = 120-277V, 0-10V Dimming (standard)<br>/480/D10 = 480V, 0-10V Dimming | Blank = Mounts to RAB square poles<br>/UPA = Universal Pole Adaptor | Blank = None<br>/PCT = 120-277V Twistlock PC<br>/PCT4 = 480V Twistlock PC<br>/WS2 = Wattstopper Sensor + 20ft lens, 120-277V<br>/WS4 = Wattstopper Sensor + 40ft lens, 120-277V<br>/5PR = 5-Pin Receptacle, no PCT<br>/7PR = 7-Pin Receptacle, no PCT<br>/BL = Bi-Level Dimming, 120-277V | Blank = None<br>/HS = 2 House-Side-Shields | Blank = Standard<br>USA = BAA Compliant |